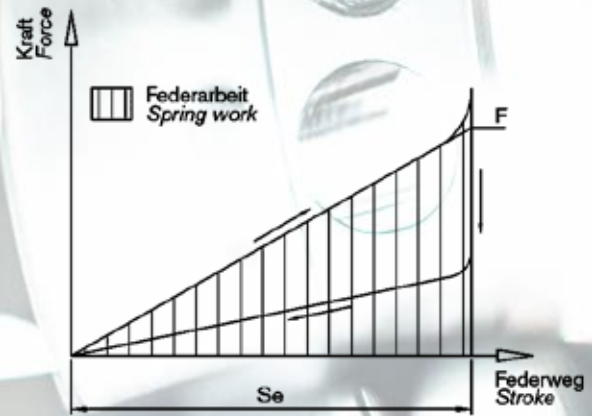
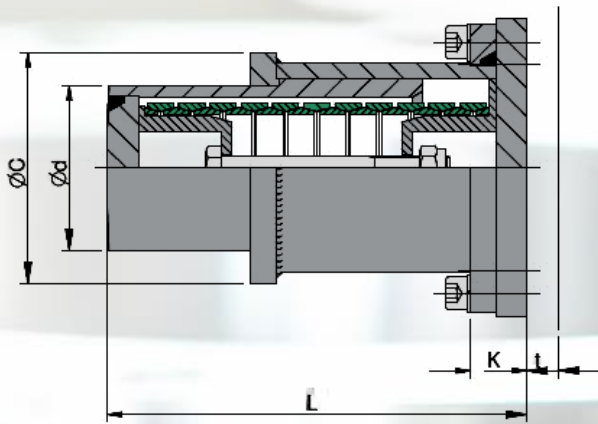
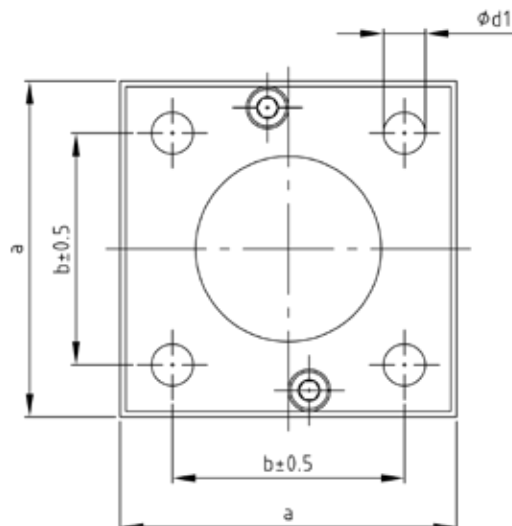


IPA 1



Used symbols

m	[kg]	Weight
Fv	[kN]	Pretensioning force
F	[kN]	Spring force
s	[mm]	Spring travel
W	[J]	Spring work
L	[mm]	Total length
d	[mm]	Plunger diameter
C	[mm]	Case diameter
K	[mm]	Flange thickness
a	[mm]	Flange dimension
b	[mm]	Hole size
d1	[mm]	Flange boring
t	[mm]	Support wall thickness



Order specification:

IPA1-Sz.-Type.Index

(e.g.: IPA1-1-06300.xxxx*)

*Sequential number:

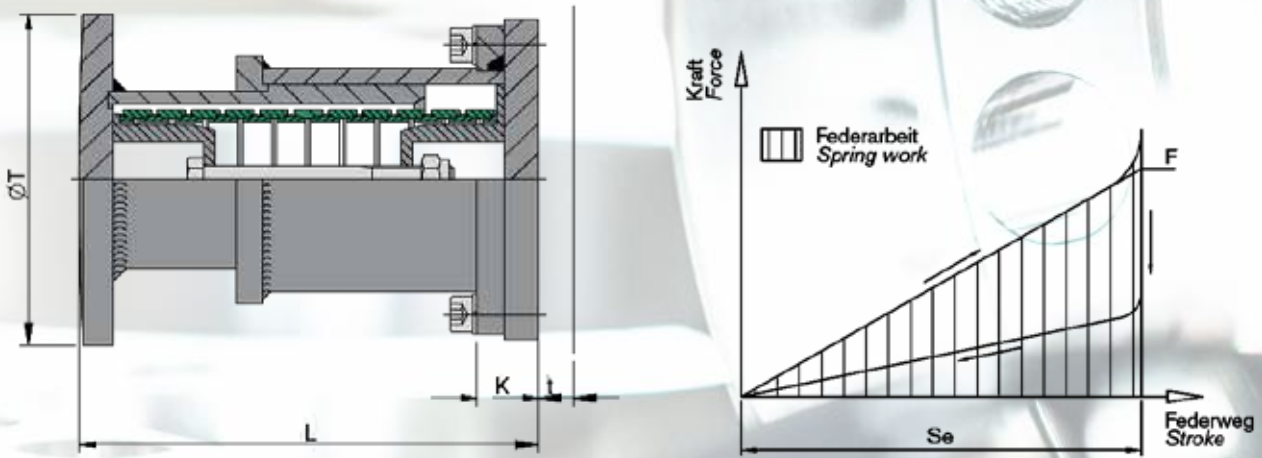
includes references to further product data

IPA 1

Standard dimensions

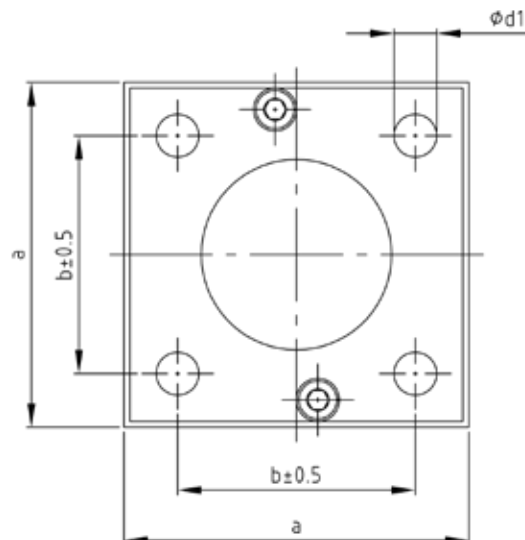
Sz.	Type	Diagram values				Dimensions of the buffer					Connection dimensions			
		F_V kN	F kN	s mm	W J	L mm	d mm	C mm	K mm	a mm	b mm	d_1 mm	t mm	m kg
1	06300	6	55	27,4	830	202	80	112	27	145	100	18	15	10,5
2		6	55	37,0	1120	262	80	112	27	145	100	18	15	12,5
3		6	55	54,8	1670	374	80	112	27	145	100	18	15	16,7
4		6	55	64,4	1960	434	80	112	27	145	100	18	15	19,2
5		6	55	74,0	2250	494	80	112	27	145	100	18	15	20,2
6	08000	7	84	33,0	1500	230	96	122	27	160	110	18	15	13,4
7		7	84	46,0	2090	306	96	122	27	160	110	18	15	16,5
8		7	84	66,0	3000	428	96	122	27	160	110	18	15	22,5
9		7	84	79,0	3590	505	96	122	27	160	110	18	15	26,2
10		7	84	92,0	4180	582	96	122	27	160	110	18	15	28,0
11	10000	10	125	44,0	2970	300	114	142	31	185	130	23	20	22,2
12		10	125	60,5	4080	397	114	142	31	185	130	23	20	26,0
13		10	125	89,0	6000	571	114	142	31	185	130	23	20	37,1
14		10	125	105,0	7080	667	114	142	31	185	130	23	20	41,8
15		10	125	121,0	8160	763	114	142	31	185	130	23	20	48,1
16	12400	20	200	51,2	5630	365	142	178	34	215	155	23	20	39,0
17		20	200	64,8	7120	454	142	178	34	215	155	23	20	46,0
18		20	200	102,4	11260	696	142	178	34	215	155	23	20	64,0
19		20	200	116,0	12760	784	142	178	34	215	155	23	20	75,0
20		20	200	130,0	14300	872	142	178	34	215	155	23	20	78,0
21	16600	20	360	75,0	14250	500	184	230	47	270	200	27	25	98,0
22		20	360	95,0	18050	630	184	230	47	270	200	27	25	124,0
23		20	360	142,0	26980	880	184	230	47	270	200	27	25	147,0
24		20	360	170,0	32300	1040	184	230	47	270	200	27	25	150,0
25		20	360	190,0	36100	1200	184	230	47	270	200	27	25	175,0

IPA 2



Used symbols

m	[kg]	Weight
Fv	[kN]	Pretensioning force
F	[kN]	Spring force
s	[mm]	Spring travel
W	[J]	Spring work
L	[mm]	Total length
T	[mm]	Baffle diameter
K	[mm]	Flange thickness
a	[mm]	Flange dimension
b	[mm]	Hole size
d1	[mm]	Flange boring
t	[mm]	Support wall thickness



Order specification:

IPA2-Sz.-Type.Index

(e.g.: IPA2-1-06300.xxxx*)

*Sequential number:

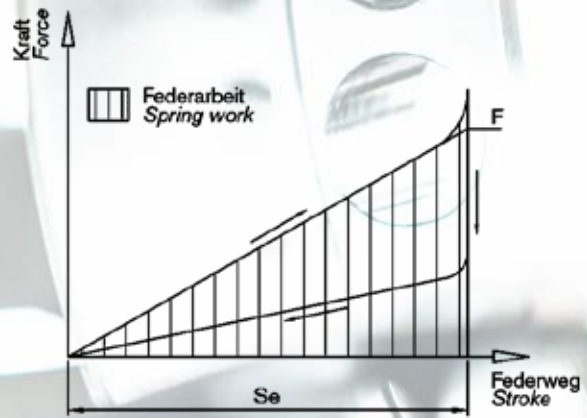
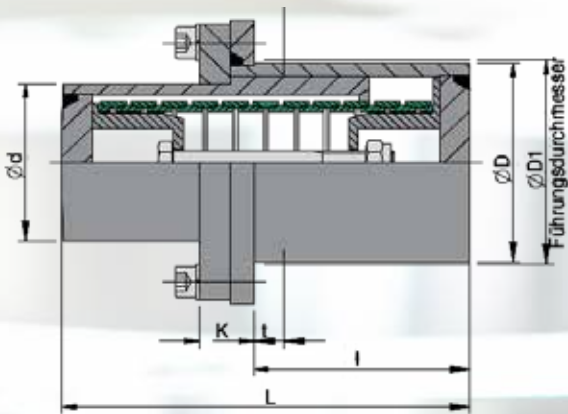
includes references to further product data

IPA 2

Standard dimensions

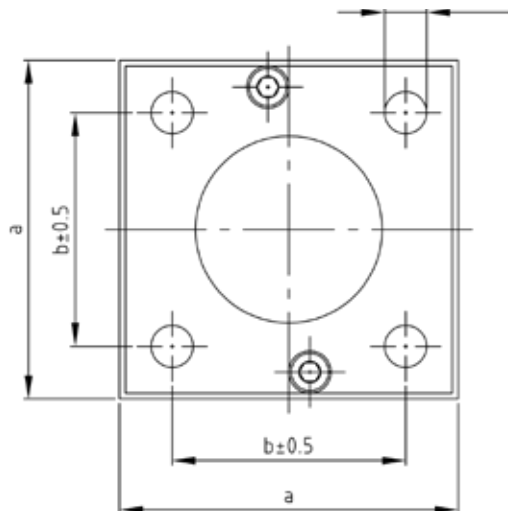
Sz.	Type	Diagram values				Dimensions of the buffer				Connection dimensions			
		F_v kN	F kN	s mm	W J	L mm	T mm	K mm	a mm	b mm	d_1 mm	t mm	m kg
1	06300	6	55	27,4	830	202	150	27	145	100	18	15	12,0
2		6	55	37,0	1120	262	150	27	145	100	18	15	13,8
3		6	55	54,8	1670	374	150	27	145	100	18	15	18,2
4		6	55	64,4	1960	434	150	27	145	100	18	15	20,8
5		6	55	74,0	2250	494	150	27	145	100	18	15	21,5
6	08000	7	84	33,0	1500	230	200	27	160	110	18	15	16,3
7		7	84	46,0	2090	306	200	27	160	110	18	15	19,5
8		7	84	66,0	3000	428	200	27	160	110	18	15	25,5
9		7	84	79,0	3590	505	200	27	160	110	18	15	29,6
10		7	84	92,0	4180	582	200	27	160	110	18	15	31,0
11	10000	10	125	44,0	2970	300	250	31	185	130	23	20	30,0
12		10	125	60,5	4080	397	250	31	185	130	23	20	30,5
13		10	125	89,0	6000	571	250	31	185	130	23	20	38,2
14		10	125	105,0	7080	667	250	31	185	130	23	20	44,8
15		10	125	121,0	8160	763	250	31	185	130	23	20	52,1
16	12400	20	200	51,2	5630	365	250	34	215	155	23	20	45,0
17		20	200	64,8	7120	454	250	34	215	155	23	20	48,0
18		20	200	102,4	11260	696	250	34	215	155	23	20	66,0
19		20	200	116,0	12760	784	250	34	215	155	23	20	77,0
20		20	200	130,0	14300	872	250	34	215	155	23	20	79,0
21	16600	20	360	75,0	14250	500	250	47	270	200	27	25	101,0
22		20	360	95,0	18050	630	250	47	270	200	27	25	126,0
23		20	360	142,0	26980	880	250	47	270	200	27	25	149,0
24		20	360	170,0	32300	1040	250	47	270	200	27	25	152,0
25		20	360	190,0	36100	1200	250	47	270	200	27	25	177,0

IPA 3



Used symbols

m	[kg]	Weight
Fv	[kN]	Pretensioning force
F	[kN]	Spring force
s	[mm]	Spring travel
W	[J]	Spring work
L	[mm]	Total length
l	[mm]	Dimple length
D	[mm]	Outer diameter
d	[mm]	Plunger diameter
K	[mm]	Flange thickness
a	[mm]	Flange dimension
b	[mm]	Hole size
d1	[mm]	Flange boring
D1	[mm]	Installation diameter
t	[mm]	Support wall thickness



Order specification:
IPA3-Sz.-Type.Index
 (e.g.: IPA3-1-06300.xxxx*)

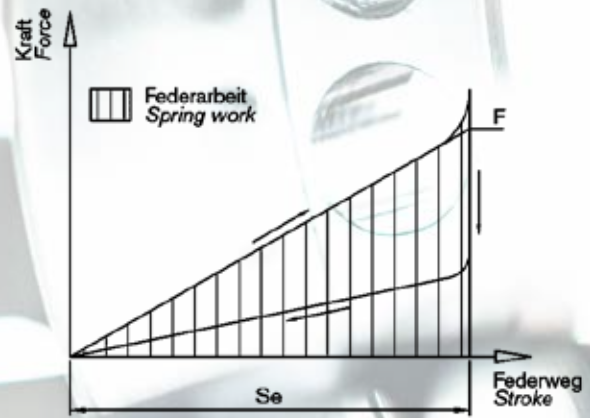
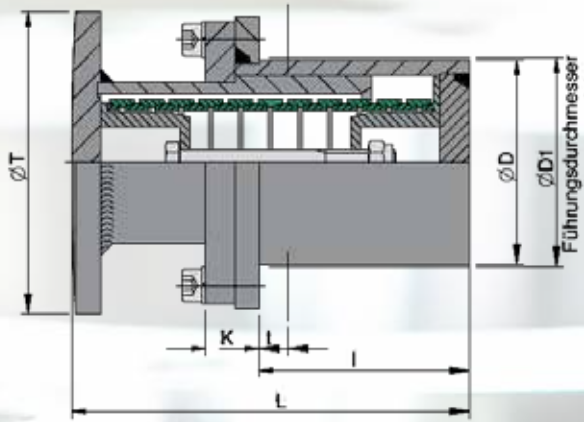
*Sequential number:
 includes references to further product data

IPA 3

Standard dimensions

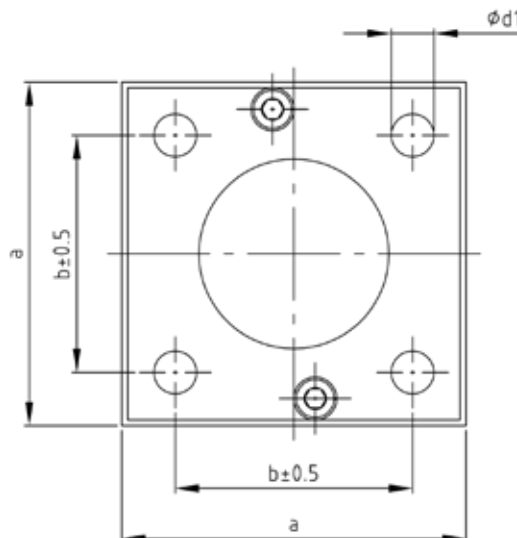
Sz.	Type	Diagram values				Dimensions of the buffer						Connection dimensions				
		F_V kN	F kN	s mm	W J	L mm	I mm	D mm	d mm	K mm	a mm	b mm	d_1 mm	D_1 mm	t mm	m kg
1	06300	6	55	27,4	830	202	107	102	80	27	145	100	18	104	15	10,2
2		6	55	37,0	1120	262	156	102	80	27	145	100	18	104	15	12,5
3		6	55	54,8	1670	374	225	102	80	27	145	100	18	104	15	16,5
4		6	55	64,4	1960	434	293	102	80	27	145	100	18	104	15	19,1
5		6	55	74,0	2250	494	293	102	80	27	145	100	18	104	15	20,1
6	08000	7	84	33,0	1500	230	125	114	96	27	160	110	18	117	15	13,5
7		7	84	46,0	2090	306	170	114	96	27	160	110	18	117	15	16,2
8		7	84	66,0	3000	428	258	114	96	27	160	110	18	117	15	21,7
9		7	84	79,0	3590	505	355	114	96	27	160	110	18	117	15	25,8
10		7	84	92,0	4180	582	360	114	96	27	160	110	18	117	15	27,5
11	10000	10	125	44,0	2970	300	165	133	114	31	185	130	23	135	20	21,5
12		10	125	60,5	4080	397	230	133	114	31	185	130	23	135	20	26,0
13		10	125	89,0	6000	571	350	133	114	31	185	130	23	135	20	36,7
14		10	125	105,0	7080	667	470	133	114	31	185	130	23	135	20	41,3
15		10	125	121,0	8160	763	470	133	114	31	185	130	23	135	20	45,3
16	12400	20	200	51,2	5630	365	216	165	142	34	215	155	23	167	20	35,5
17		20	200	64,8	7120	454	275	165	142	34	215	155	23	167	20	45,0
18		20	200	102,4	11260	696	456	165	142	34	215	155	23	167	20	64,0
19		20	200	116,0	12760	784	574	165	142	34	215	155	23	167	20	74,0
20		20	200	130,0	14300	872	550	165	142	34	215	155	23	167	20	78,0
21	16600	20	360	75,0	14250	500	328	219	184	47	270	200	27	222	25	83,0
22		20	360	95,0	18050	630	450	219	184	47	270	200	27	222	25	106,0
23		20	360	142,0	26980	880	660	219	184	47	270	200	27	222	25	148,0
24		20	360	170,0	32300	1040	687	219	184	47	270	200	27	222	25	151,0
25		20	360	190,0	36100	1200	850	219	184	47	270	200	27	222	25	176,0

IPA 4



Used symbols

m	[kg]	Weight
Fv	[kN]	Pretensioning force
F	[kN]	Spring force
s	[mm]	Spring travel
W	[J]	Spring work
L	[mm]	Total length
I	[mm]	Dimple length
D	[mm]	Outer diameter
T	[mm]	Baffle diameter
K	[mm]	Flange thickness
a	[mm]	Flange dimension
b	[mm]	Hole size
d1	[mm]	Flange boring
D1	[mm]	Installation diameter
t	[mm]	Support wall thickness



Order specification:

IPA4-Gr.-Typ.Index

(e.g.: IPA4-1-06300.xxxx*)

*Sequential number:

includes references to further product data

IPA 4

Standard dimensions

Sz.	Type	Diagram values				Dimensions of the buffer						Connection dimensions				
		F_V kN	F kN	s mm	W J	L mm	I mm	D mm	T mm	K mm	a mm	b mm	d_1 mm	D_1 mm	t mm	m kg
1	06300	6	55	27,4	830	202	107	102	150	27	145	100	18	104	15	11,7
2		6	55	37,0	1120	262	156	102	150	27	145	100	18	104	15	13,4
3		6	55	54,8	1670	374	225	102	150	27	145	100	18	104	15	18,0
4		6	55	64,4	1960	434	293	102	150	27	145	100	18	104	15	20,7
5		6	55	74,0	2250	494	293	102	150	27	145	100	18	104	15	21,4
6	08000	7	84	33,0	1500	230	125	114	200	27	160	110	18	117	15	16,3
7		7	84	46,0	2090	306	170	114	200	27	160	110	18	117	15	19,2
8		7	84	66,0	3000	428	258	114	200	27	160	110	18	117	15	24,7
9		7	84	79,0	3590	505	355	114	200	27	160	110	18	117	15	29,0
10		7	84	92,0	4180	582	360	114	200	27	160	110	18	117	15	30,4
11	10000	10	125	44,0	2970	300	165	133	250	31	185	130	23	135	20	26,6
12		10	125	60,5	4080	397	230	133	250	31	185	130	23	135	20	29,0
13		10	125	89,0	6000	571	350	133	250	31	185	130	23	135	20	37,8
14		10	125	105,0	7080	667	470	133	250	31	185	130	23	135	20	42,3
15		10	125	121,0	8160	763	470	133	250	31	185	130	23	135	20	51,6
16	12400	20	200	51,2	5630	365	216	165	250	34	215	155	23	167	20	44,5
17		20	200	64,8	7120	454	275	165	250	34	215	155	23	167	20	47,5
18		20	200	102,4	11260	696	456	165	250	34	215	155	23	167	20	65,6
19		20	200	116,0	12760	784	574	165	250	34	215	155	23	167	20	76,5
20		20	200	130,0	14300	872	550	165	250	34	215	155	23	167	20	78,4
21	16600	20	360	75,0	14250	500	328	219	250	47	270	200	27	222	25	100,5
22		20	360	95,0	18050	630	450	219	250	47	270	200	27	222	25	125,0
23		20	360	142,0	26980	880	660	219	250	47	270	200	27	222	25	148,2
24		20	360	170,0	32300	1040	687	219	250	47	270	200	27	222	25	151,2
25		20	360	190,0	36100	1200	850	219	250	47	270	200	27	222	25	177,0